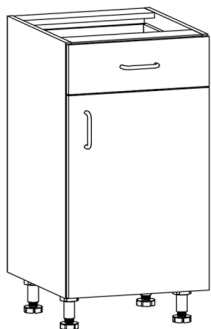
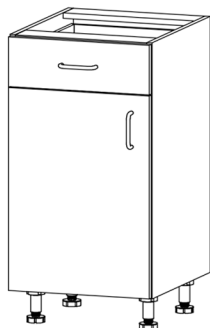


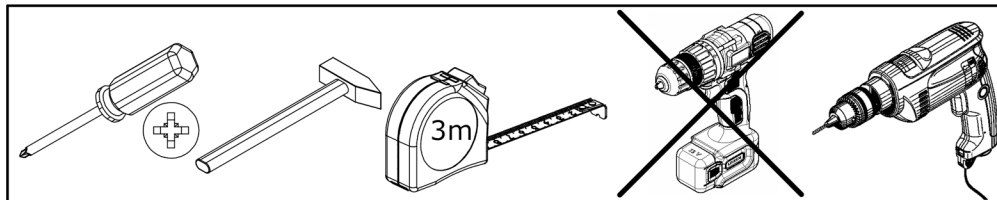
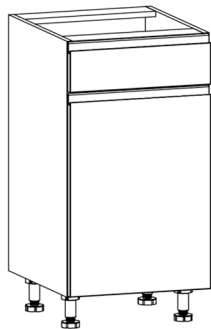
**D40S1(P) / S40/1SZ**



**D40S1(L)**

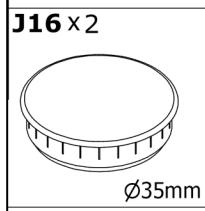


**S40/1SZ**

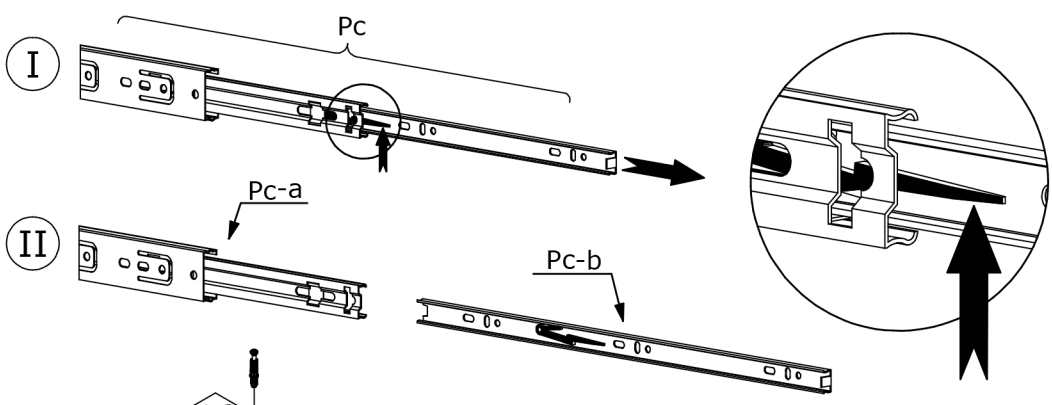
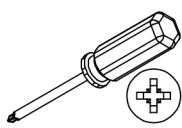


<b>A1</b> x14  Ø8x35mm	<b>B1</b> x10  Ø5x38mm	<b>C1</b> x8  Ø15x12mm	<b>C2</b> x2  Ø12x10mm	<b>E4</b> x4  9x11mm
<b>G1</b> x22  26mm	<b>J</b> x 2  Ø21mm	<b>L1</b> x 4  Ø50x95mm	<b>Pc</b> x 2  400mm	<b>U</b> x 2 
<b>X</b> x 4  Ø3,5x13mm	<b>W1</b> x 6  Ø3,5x13mm	<b>W2</b> x24  Ø3,5x16mm	<b>Zc1</b> x2 	<b>Zc2</b> x2 

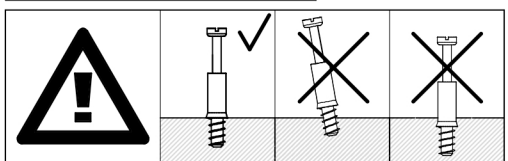
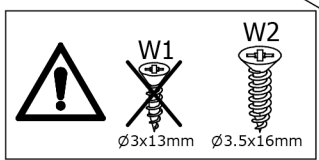
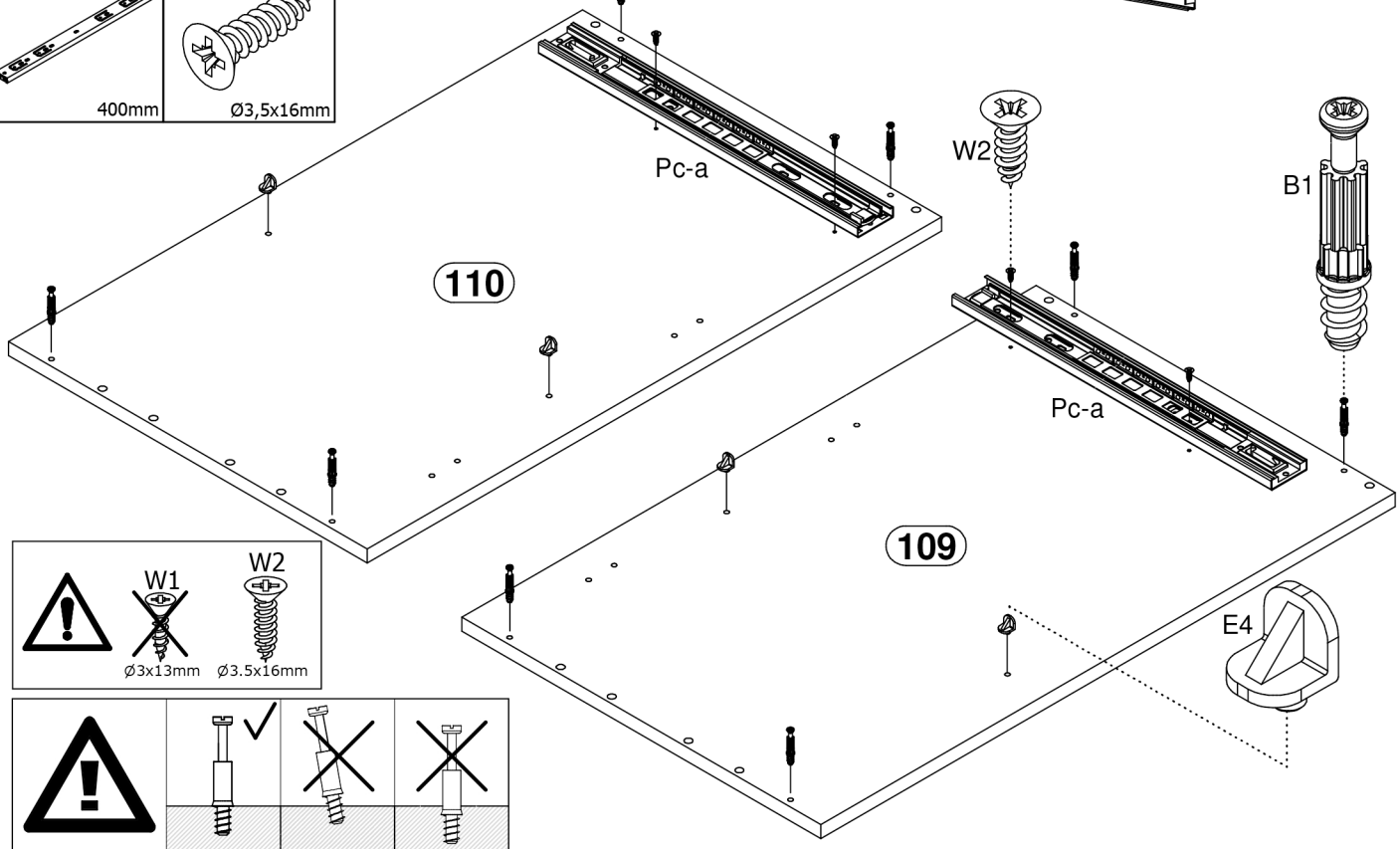
**S40/1SZ**



# 1

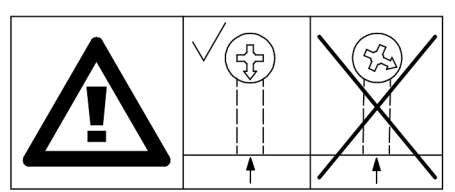
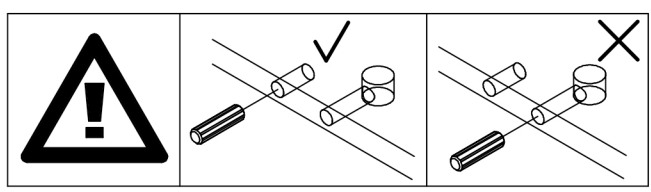
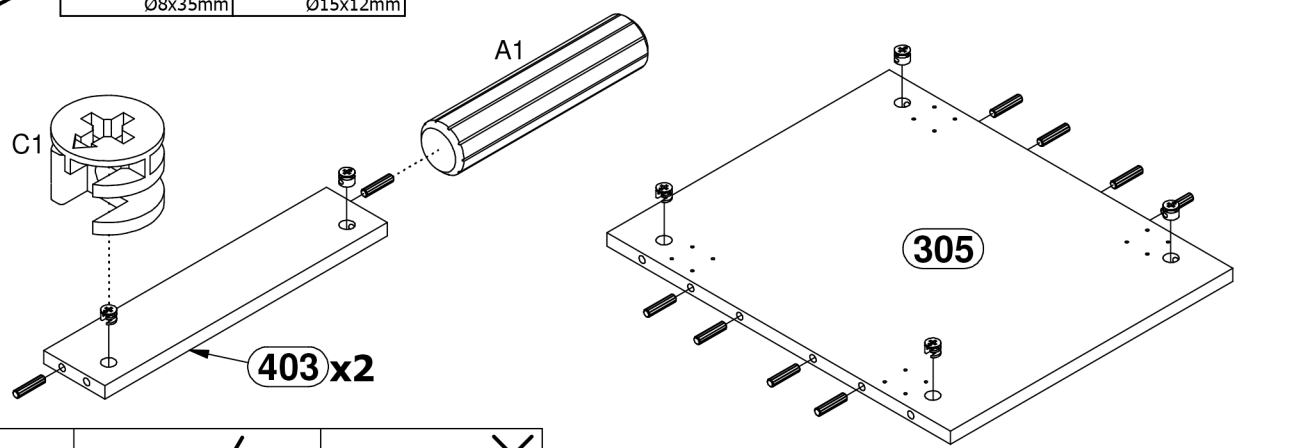


- B1 x8**  
Ø5x38mm
- E4 x4**  
9x11mm
- Pc x2**  
400mm
- W2 x4**  
Ø3,5x16mm



# 2

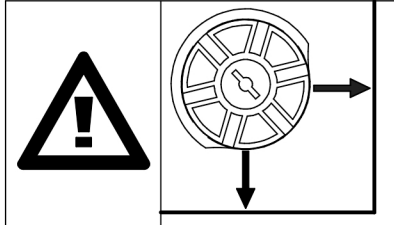
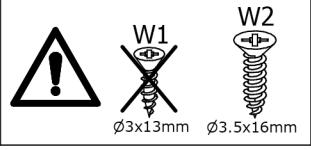
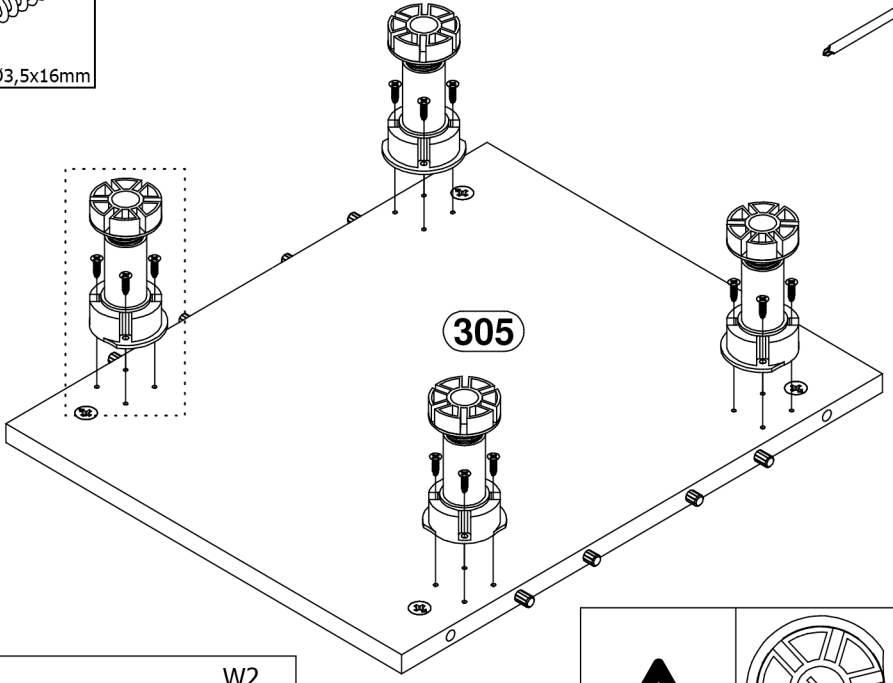
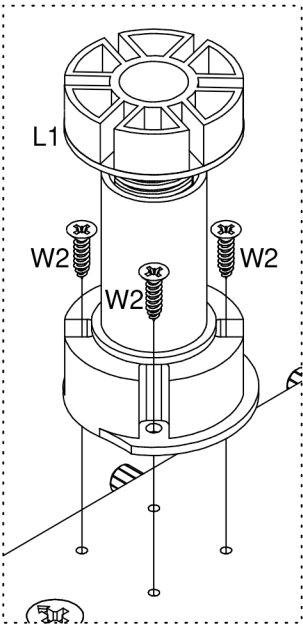
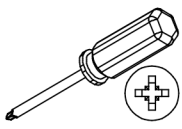
- A1 x12**  
Ø8x35mm
- C1 x8**  
Ø15x12mm



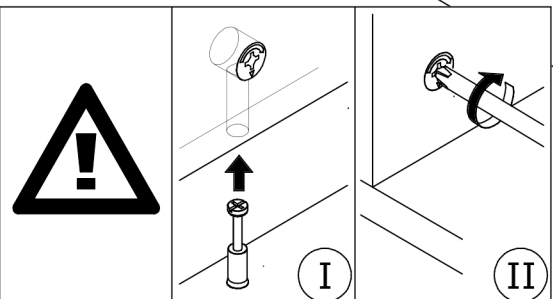
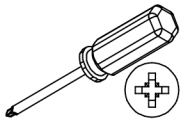
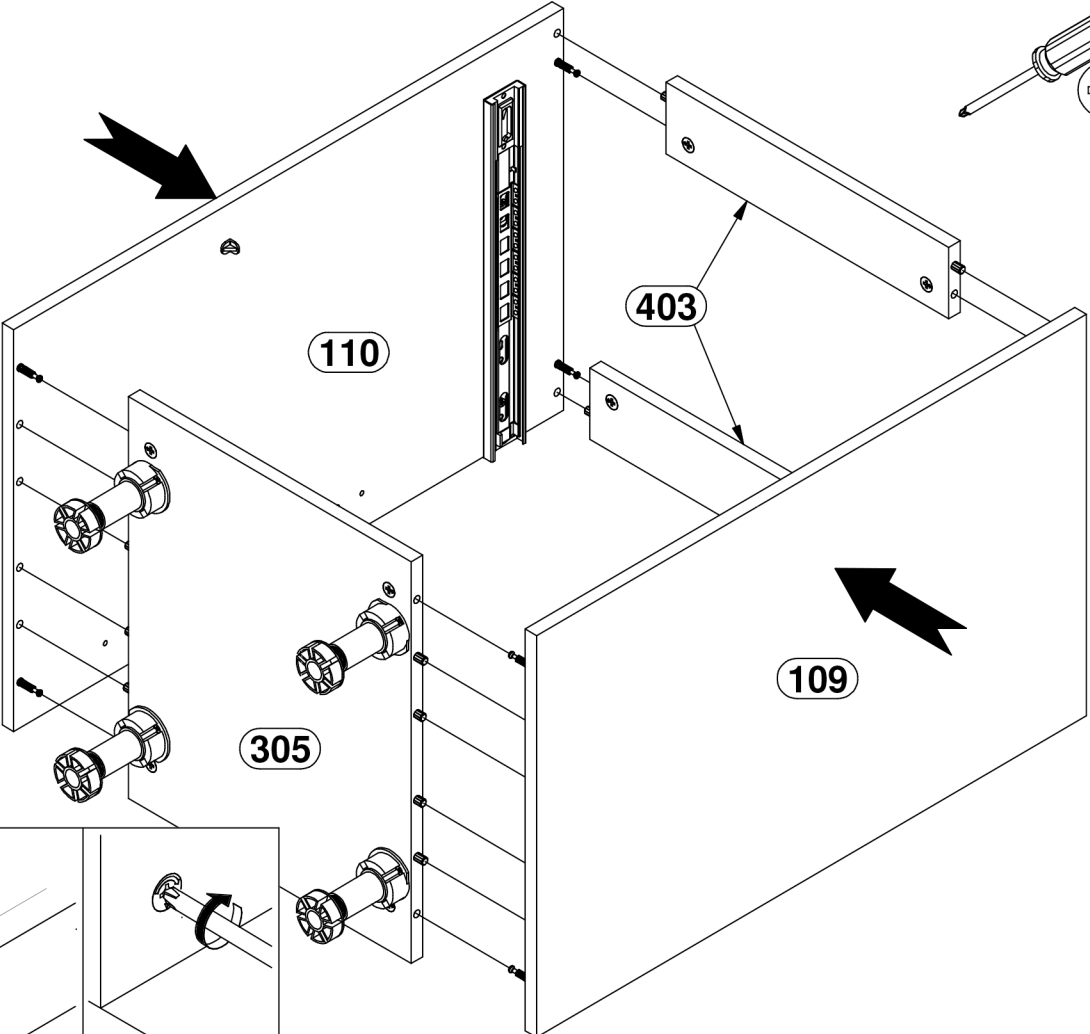
**3**

L1 x 4  
Ø50x95mm

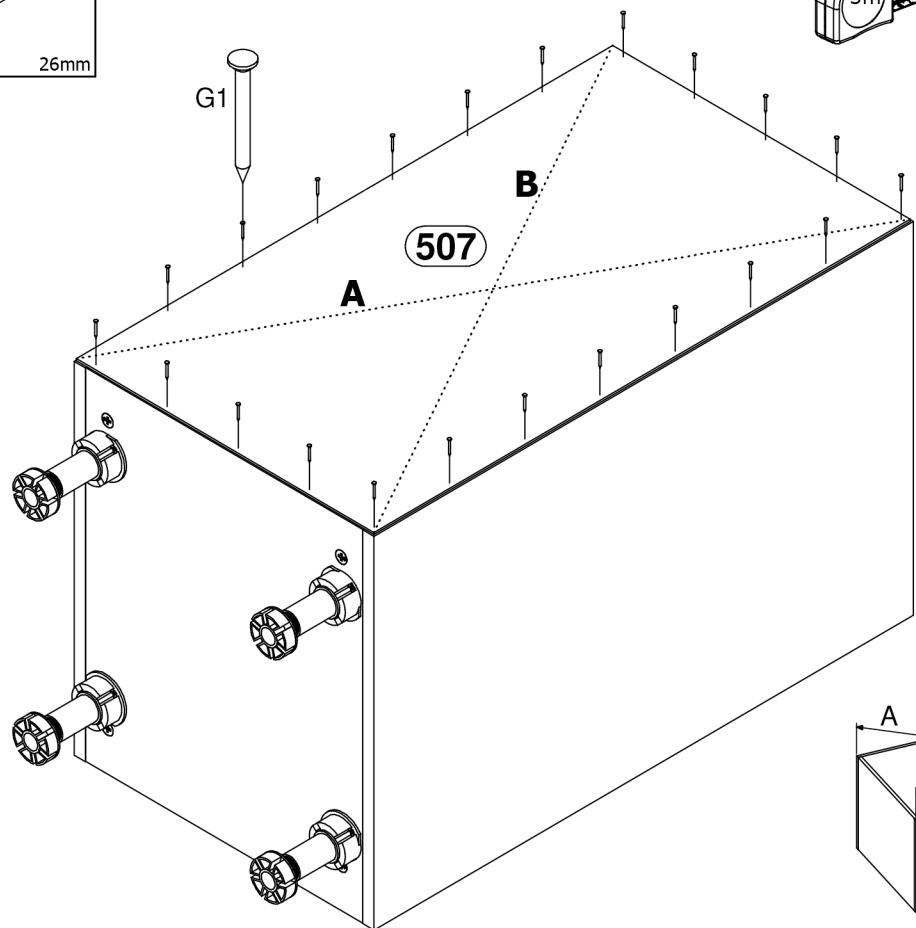
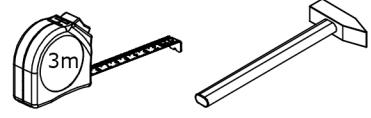
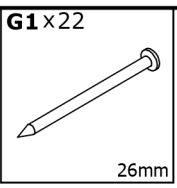
W2 x 16  
Ø3,5x16mm



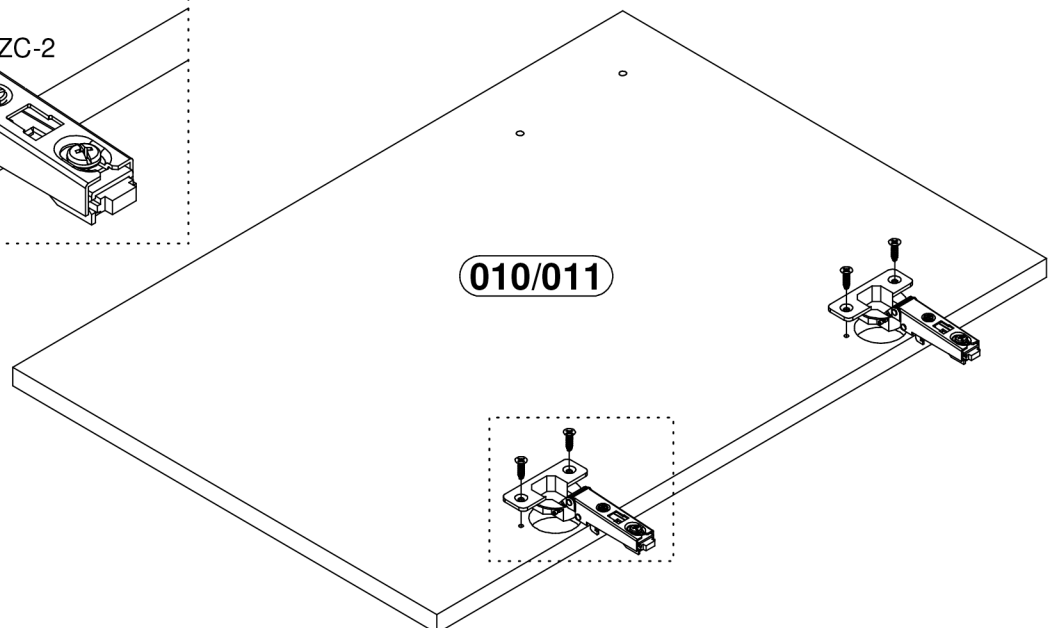
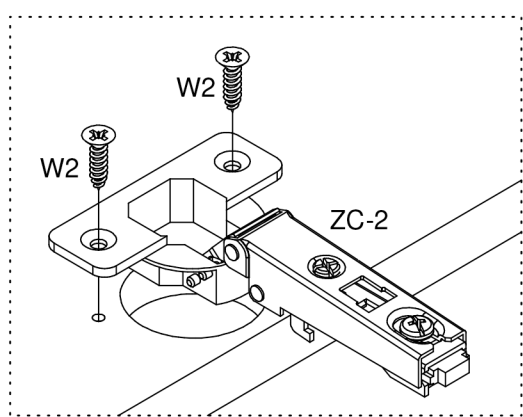
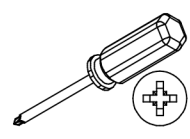
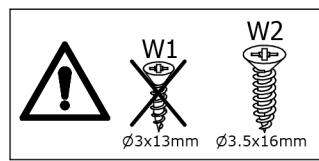
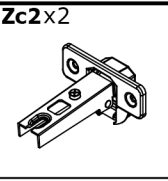
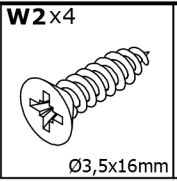
**4**



**5**

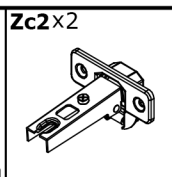
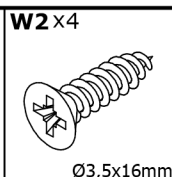
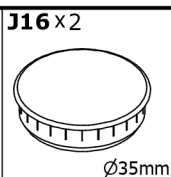


**6a**

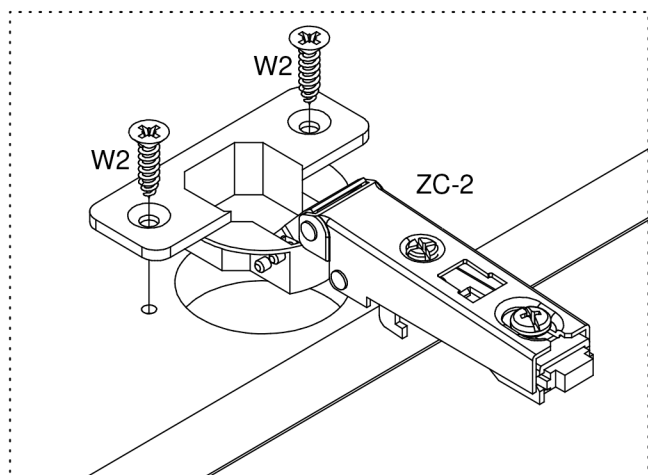
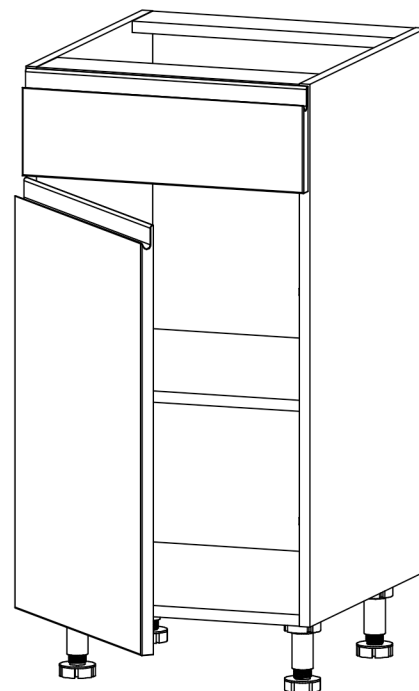
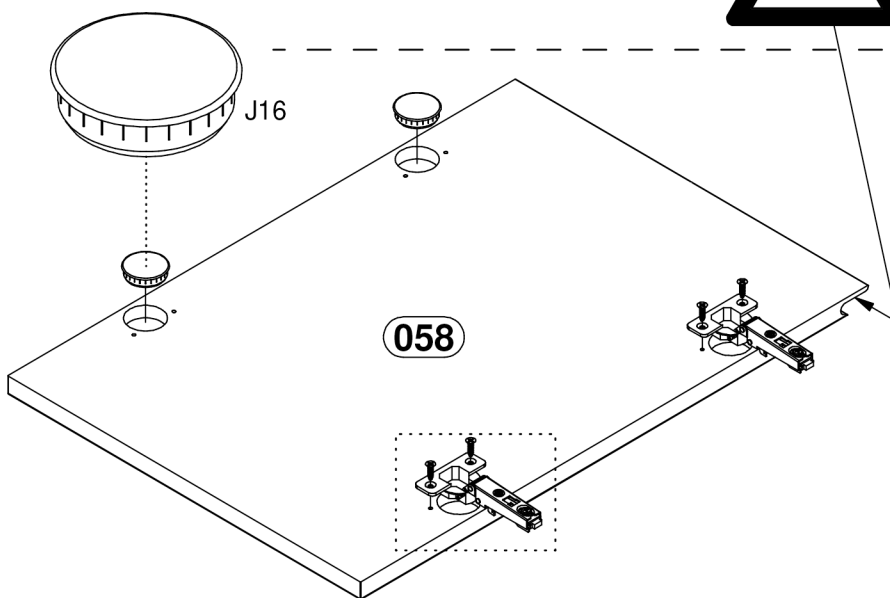
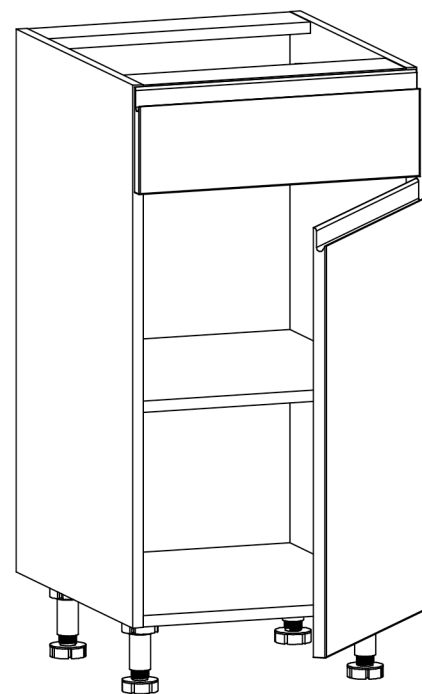
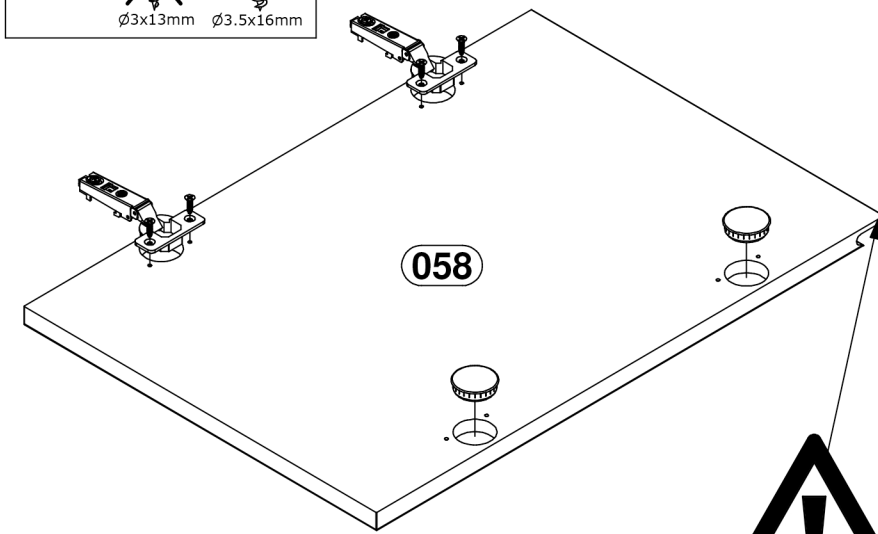
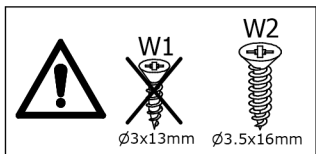
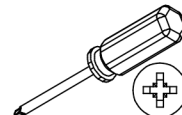




# 6b

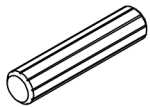


# S40/1SZ



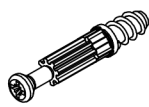
7

A1 x2



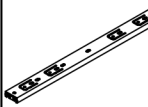
Ø8x35mm

B1 x2



Ø5x38mm

Pc-b x2

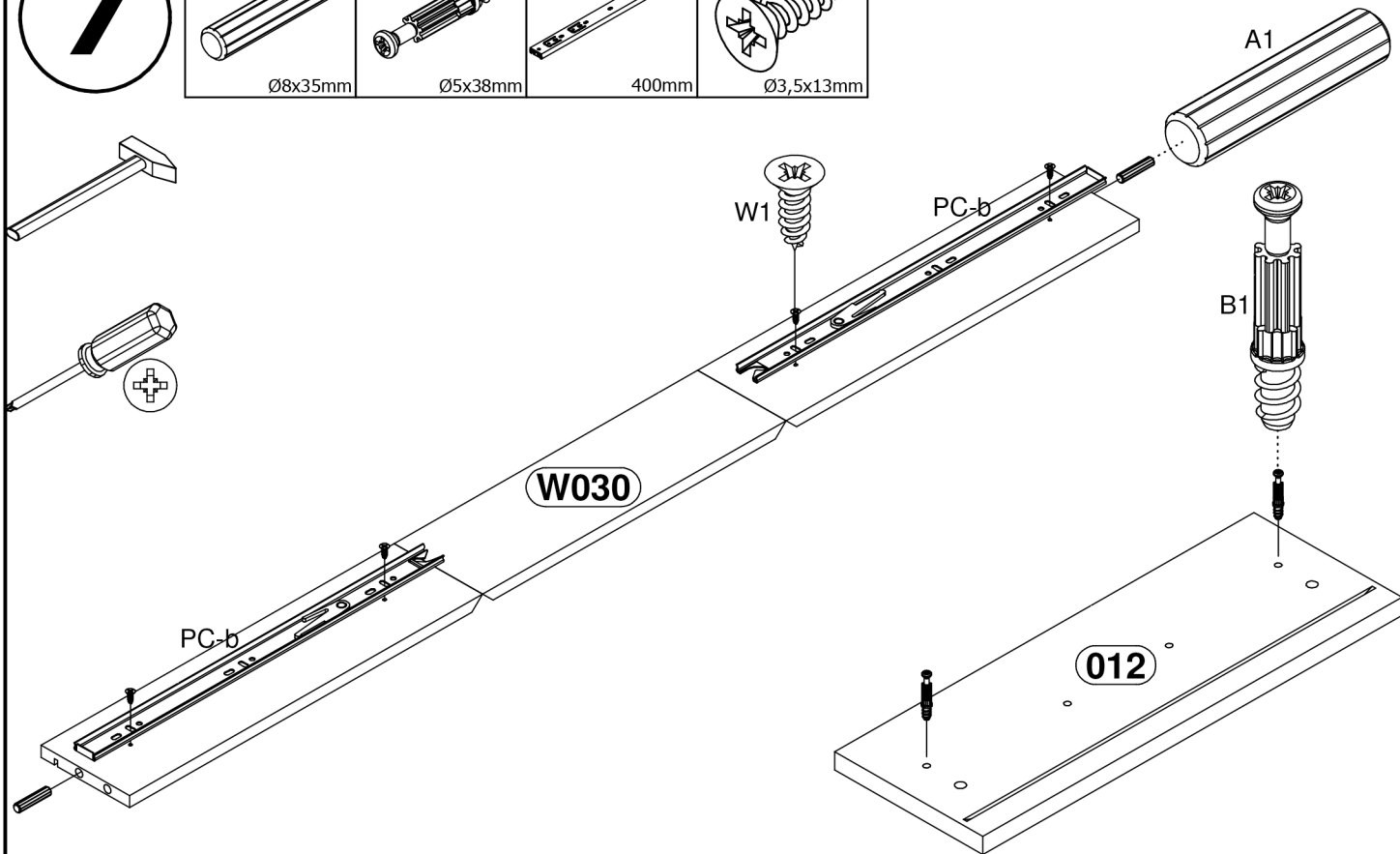
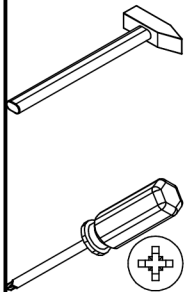


400mm

W1 x4



Ø3,5x13mm

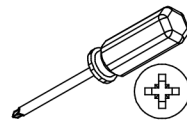
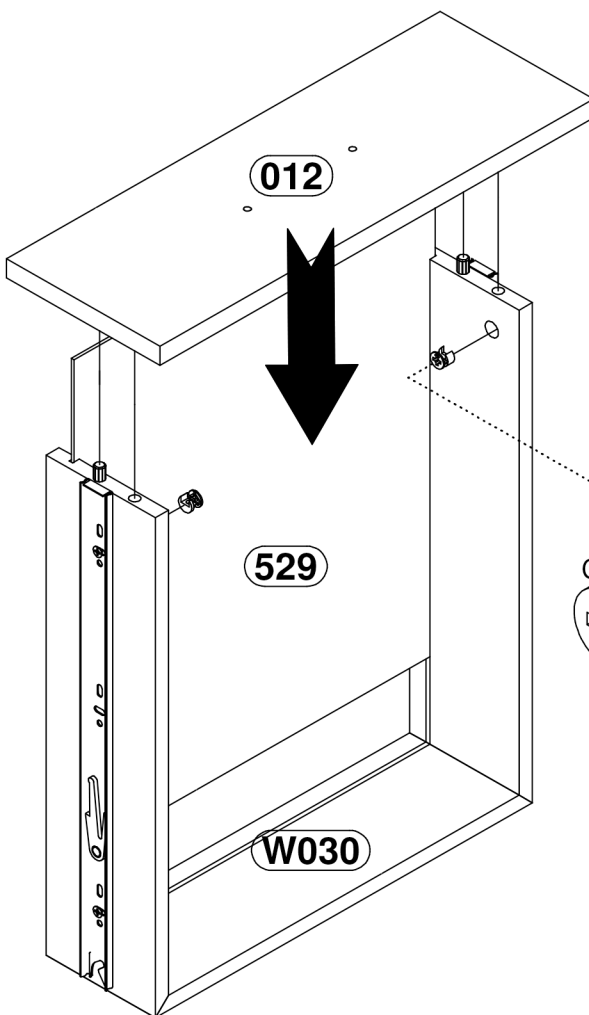
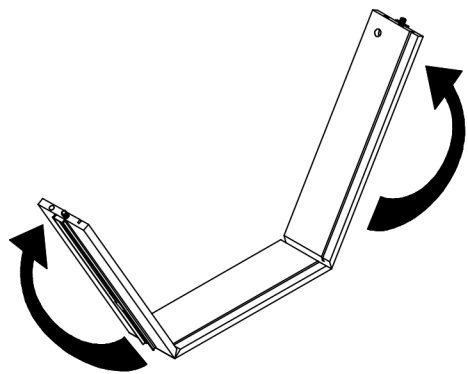


8

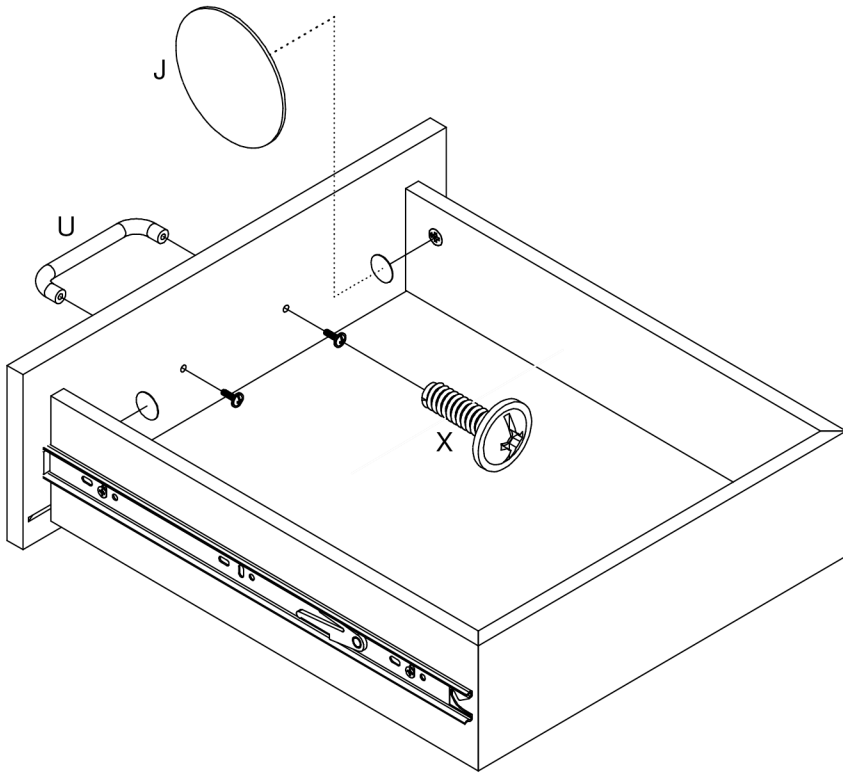
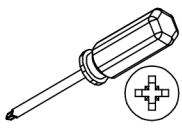
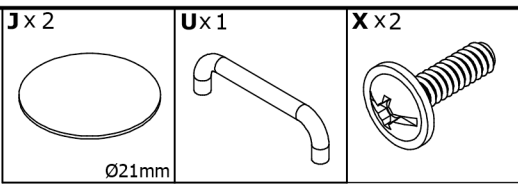
C2 x2



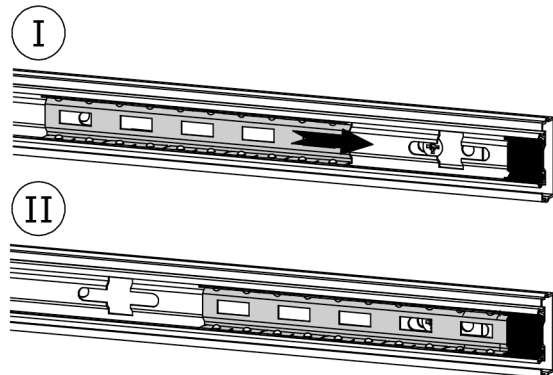
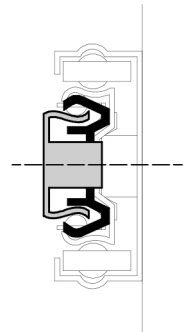
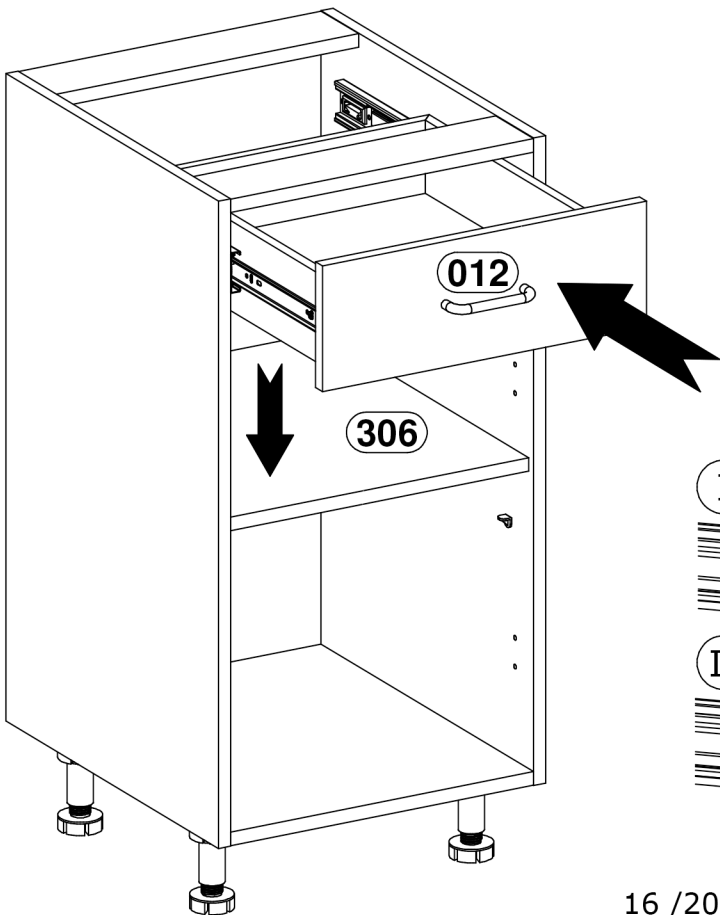
Ø12x10mm



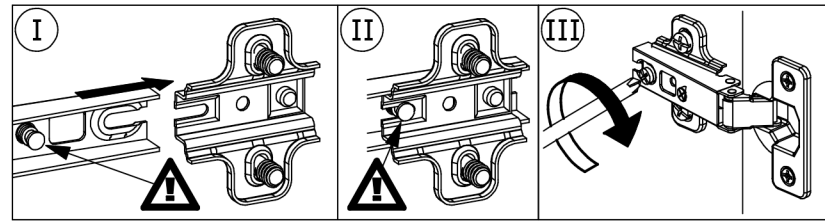
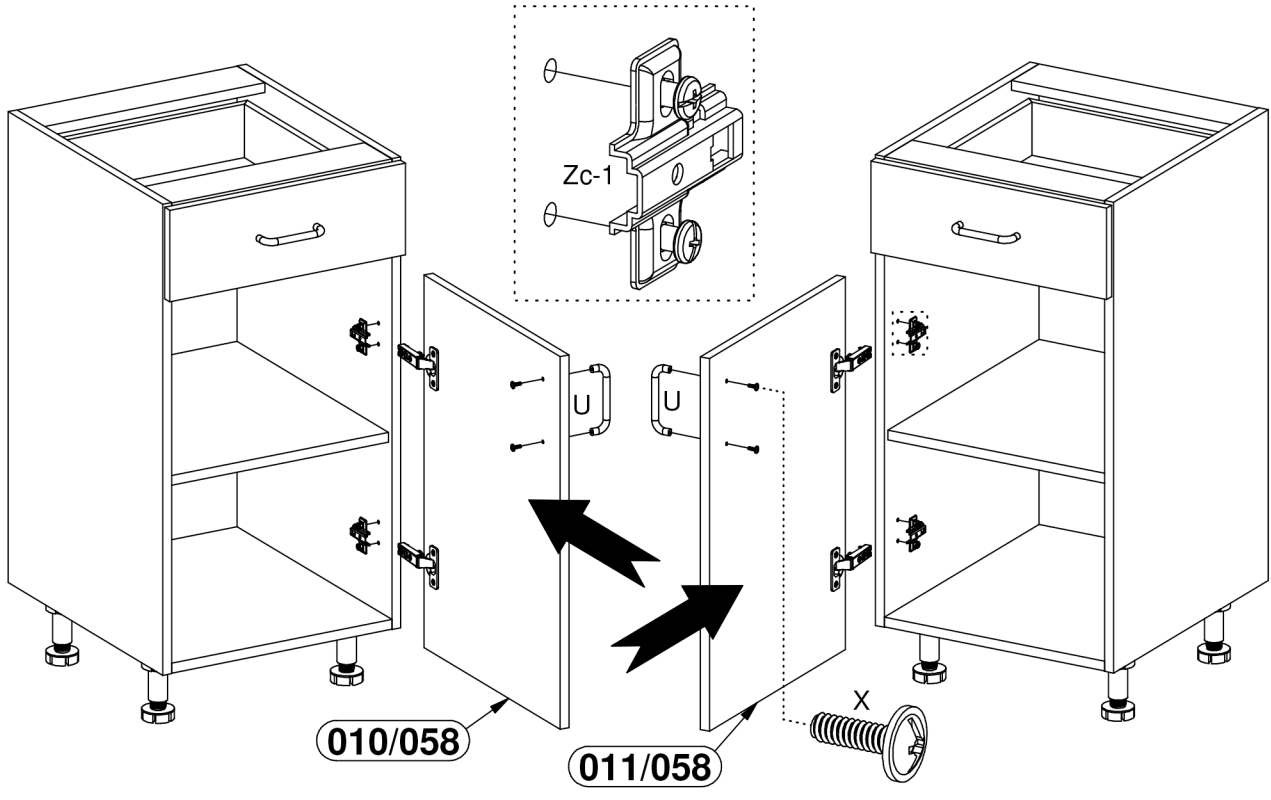
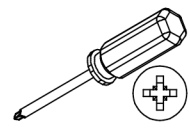
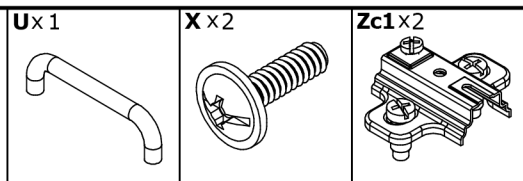
9



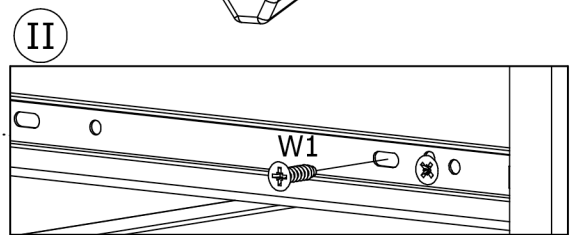
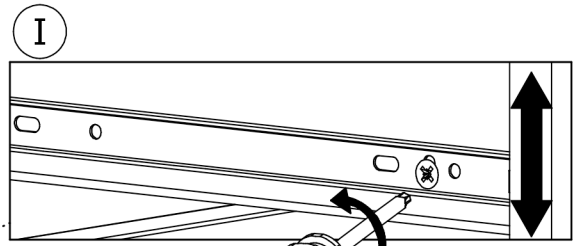
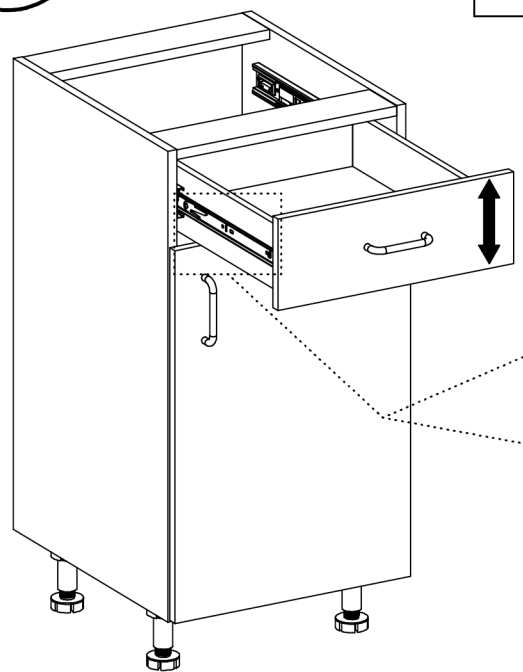
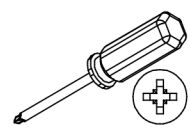
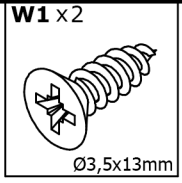
10



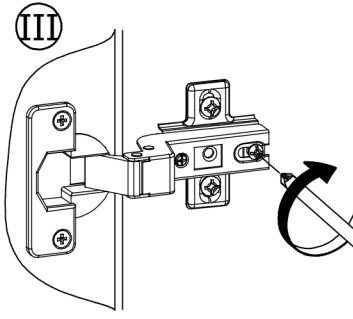
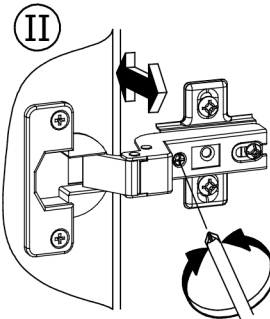
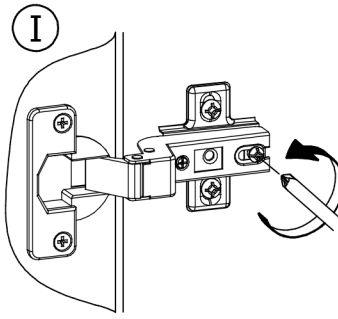
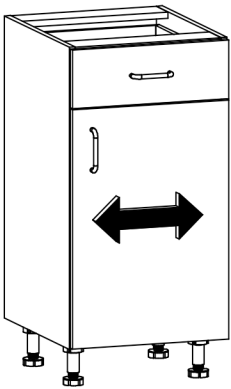
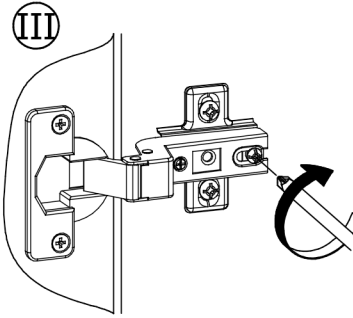
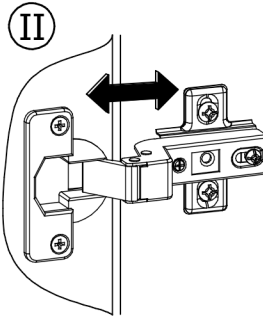
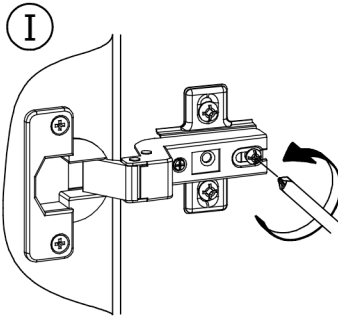
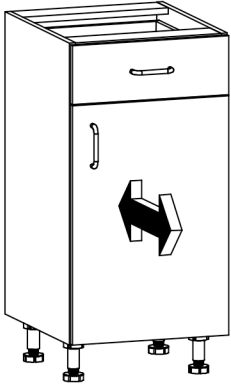
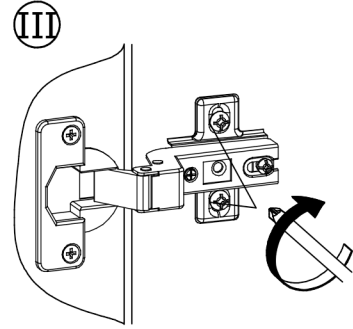
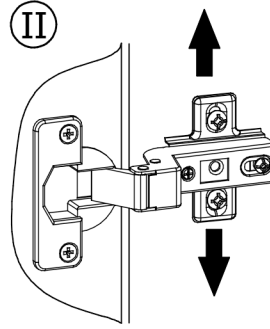
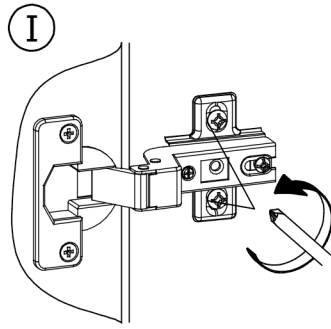
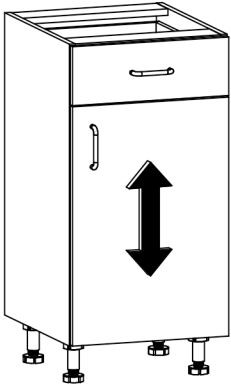
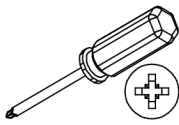
# 11



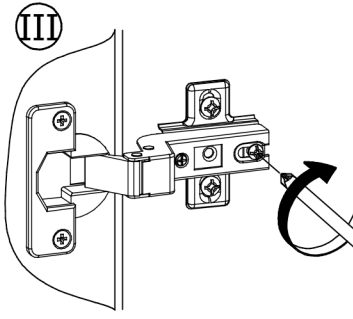
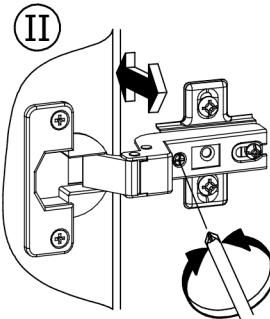
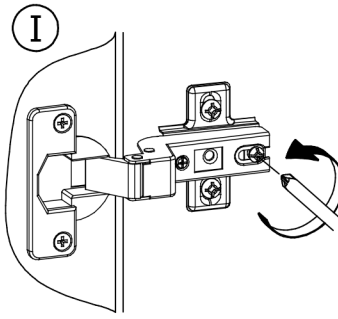
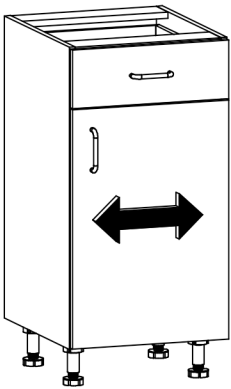
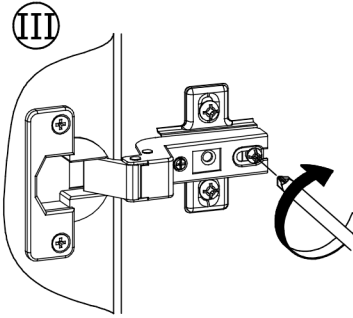
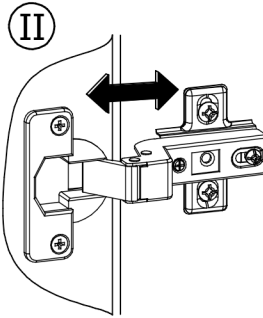
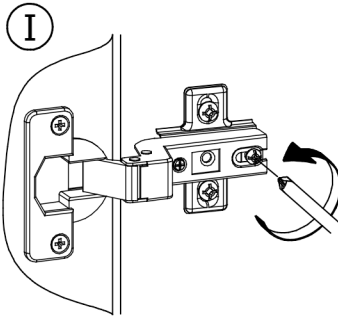
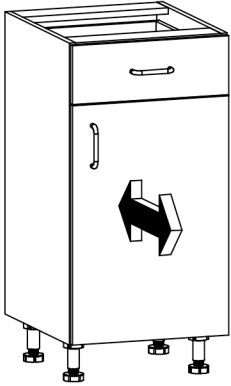
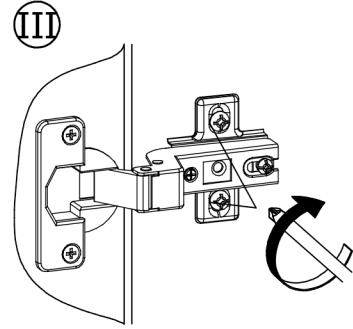
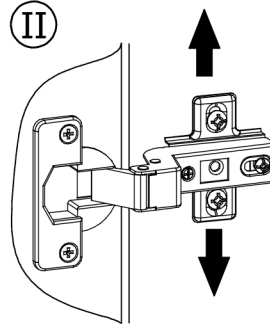
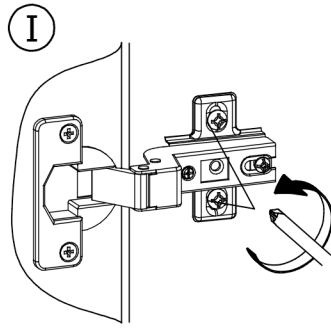
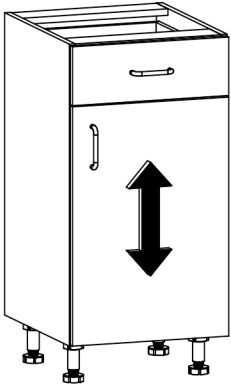
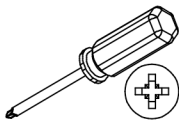
# 12

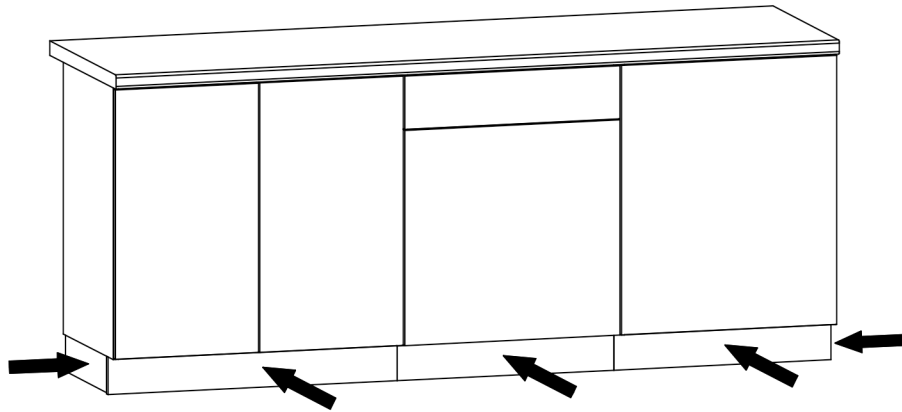
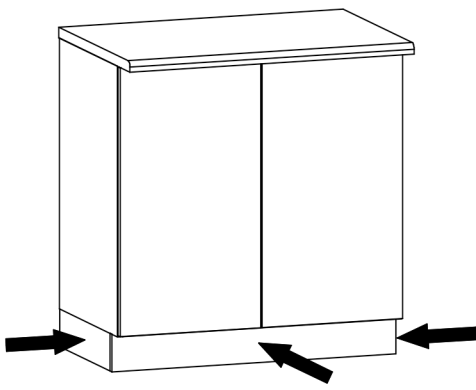
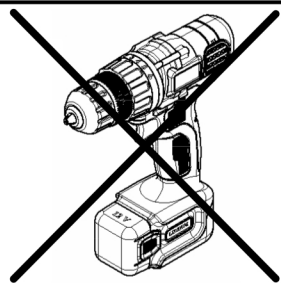
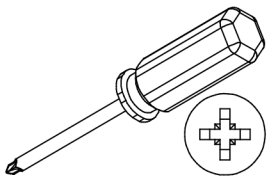


# 13

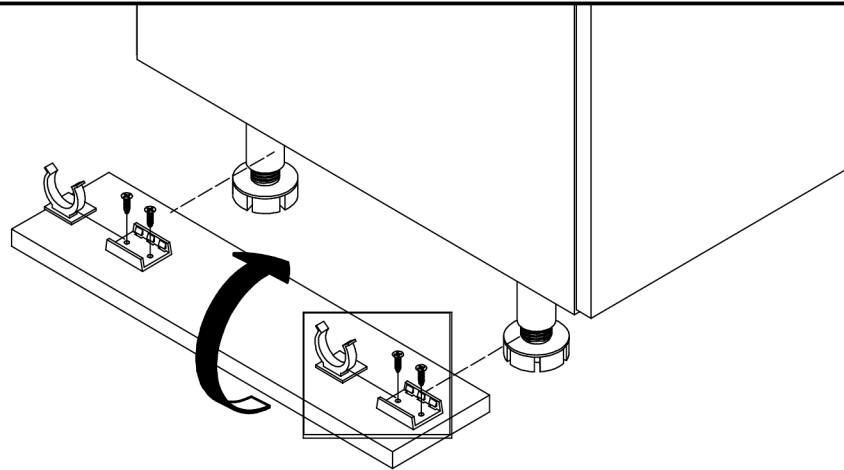
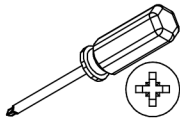


# 13

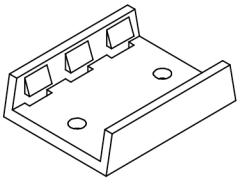




**C1**

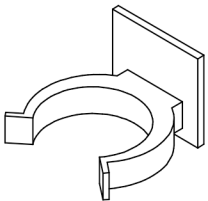


**L6-a x4**



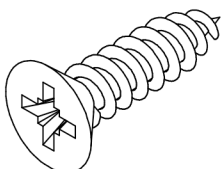
38x30x10mm

**L6-b x4**

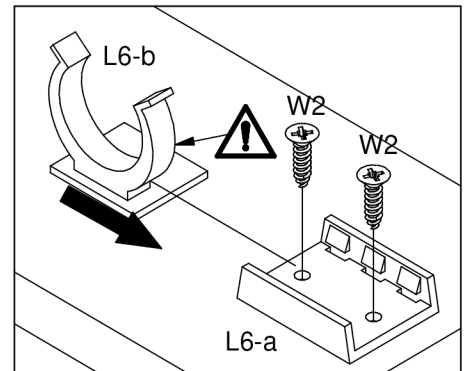


35x32x25mm

**W2 x8**

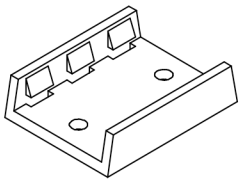


Ø3,5x16mm



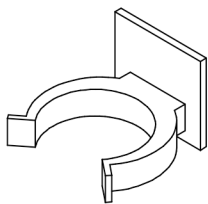
**C2**

**L6-a x 2**



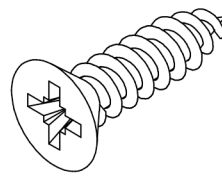
38x30x10mm

**L6-b x 2**



35x32x25mm

**W2 x 4**



Ø3,5x16mm

